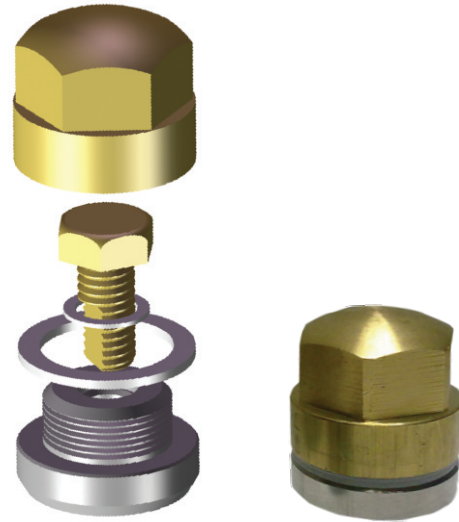
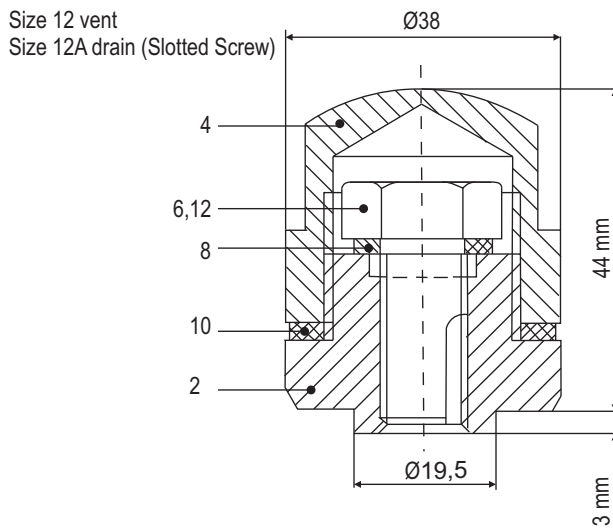
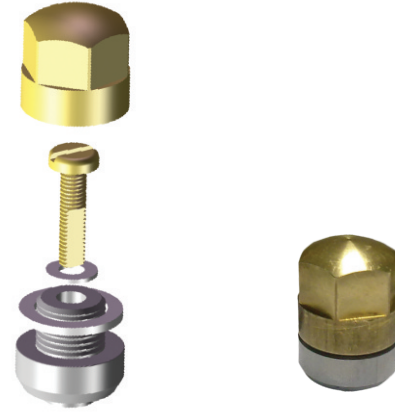
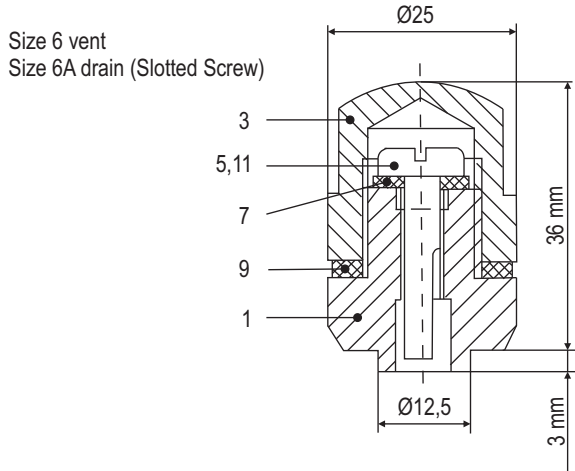


The closing piece for drain, (not with flattened shank screws) for the discharge of oil from pipes or radiators used. About the closing piece for ventilation (flattened shank screws) may be in the drain portion of air space occur and the refilling with oil, air can escape.



Pos. No.	Qty.				Description	Specification	Material
	6	6A	12	12A			
1	1	1	-	-	Adapter	DIN 42558-1	St 37-2 zinc <input type="checkbox"/> A2-70 <input type="checkbox"/>
2	-	-	1	1	Adapter	DIN 42558-2	St 37-2 zinc <input type="checkbox"/> A2-70 <input type="checkbox"/>
3	1	1	-	-	Cap	DIN 42558-3-A 4G	St 37-2 zinc <input type="checkbox"/> A2-70 <input type="checkbox"/>
4	-	-	1	1	Cap	DIN 42558-4-A 4G	St 37-2 zinc <input type="checkbox"/> A2-70 <input type="checkbox"/>
5	1	-	-	-	Slotted Pan head screw	DIN 42558-5-A 4G	DIN 42558-5-A 4G
6	-	-	1	-	Bolt	DIN 42558-6-A 4G	DIN 42558-6-A 4G
7	1	1	-	-	Gasket	DIN 42558-7	PA 6
8	-	-	1	1	Gasket	DIN 42558-8	PA 6
9	1	1	-	-	Gasket	DIN 42558-9	PA 6
10	-	-	1	1	Gasket	DIN 42558-10	PA 6
11	-	1	-	-	Slotted Pan head screw	DIN 85-A 4G AM 6x25 - 4,8	DIN 85-A 4G AM 6x25-4,8
12	-	-	-	1	Bolt	ISO 4017-A 4G M 12x25 - 8,8	ISO 4017-A 4G M 12x25 - 8,8