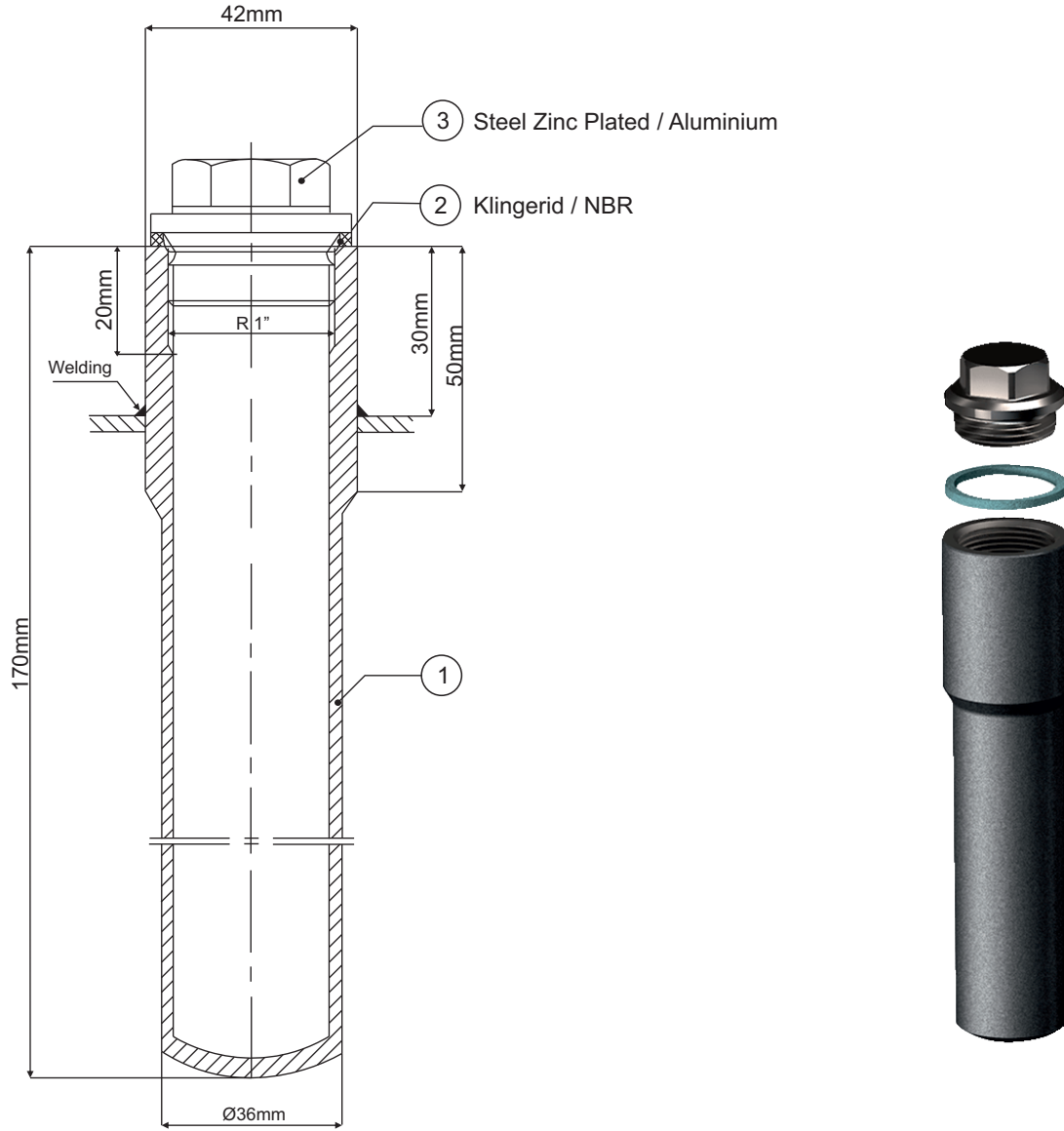


Features

The thermometer pocket is designed to be welded in the top of oil immersed transformers. The pocket is manufactured out of one metal-piece according to DIN 42554. This secured absolute oil-tightness.



No:	Designation	Remarks	Material
1	Thermometer Pocket	DIN 42554	St 37-2
2	Gasket	39x29x3	Klingerit
3	Plug	R 1" DIN 910	Gal Zn